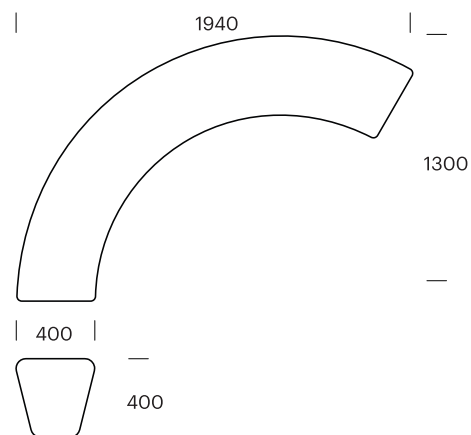


FACTS

LOOP ARC # 137

Loop Arc is an innovative piece of furniture for sitting and socializing. Clean simplicity. Options unfold in combination with several Loop Arcs or other members of the loop family: twisting through trees, squares and playgrounds or forming variously shaped sandpits.

Design: AART Designers



TECHNICAL DATA

Material

Rotation moulded polyethene, 6-7 mm thick, dyed. Moulded in one piece. UV-resistant stands up to weather, wear and tear. The material is suitable for granulation and recycling.

Surfaces and friction

The products have a textured/granulated surface due to the abrasive blasting of the mould. This process enhances the friction and makes the surface less slippery.

Authentication

TÜV approved as playground equipment acc. EN1176.

Dimensions

One module: R1300mm, H400mm, Width (cross-section): 400mm. 3 x modules (circle): outside diameter: Ø2600 / inside diameter Ø1770mm (seen from the top). 8-10 seats inside / 12-14 seats outside. In the centre playground for 4-5 children.

Combinations

Form Loop Arc like an "O" (circle, 3 modules), like a "C" (2 modules), or like an "S" (2 or more modules). Also, combine Loop Arc with Loop.

If the Loop Arc is used as an O, where it is placed around an object, allow a little extra space. We recommend that the object surrounded by the three Loop Arc should not have a diameter larger than ø1750mm.

Accessories

Armrests can be placed between the modules.

Material: Stainless steel, glass blown

Also works as a mounting bracket. Therefore, B4 mounting brackets can be omitted when armrests are used. Dimensions can be found under "dimensions" in download.

Assembling & fixation

The modules are joined with brackets (B4) at either end. Fill them 3/4 with water (225 litres) / sand (225 kg) or fasten them to the ground. Brackets to be ordered separately.

Recycled and eco-labelled*

The recycled version is made from 100% recycled polyethene plastic, of which 85% comes from internal waste and production surplus, and 15% from polyethene bags.

The recycled version is eco-labelled, promoting a circular economy and fulfils UN's sustainable development goal no.12 – Responsible consumption and production.

The recycled version is available in an anthracite variant, yet colour can vary from order to order.

Maintenance

This product withstands most cleaning agents and chemicals and can be cleaned using a high-pressure cleaner. The colour can be revived using vinyl cleaner or similar.

Family

Loop, Loop Light, Loop Line

Standard colours (approx. RAL)



Red: RAL 3020



Limegreen: RAL 120 70 60



Orange: RAL 2003

Variant colours (approx. RAL)



Yellow: RAL 1018



Purple: RAL 4004



Sandstone



Grey: RAL 7015



Blue: RAL 5010



Pastel blue: RAL 5024



Mokka brown: RAL 8028



Olive green: RAL 6025



White: RAL 9003



Recycled: Anthracite*